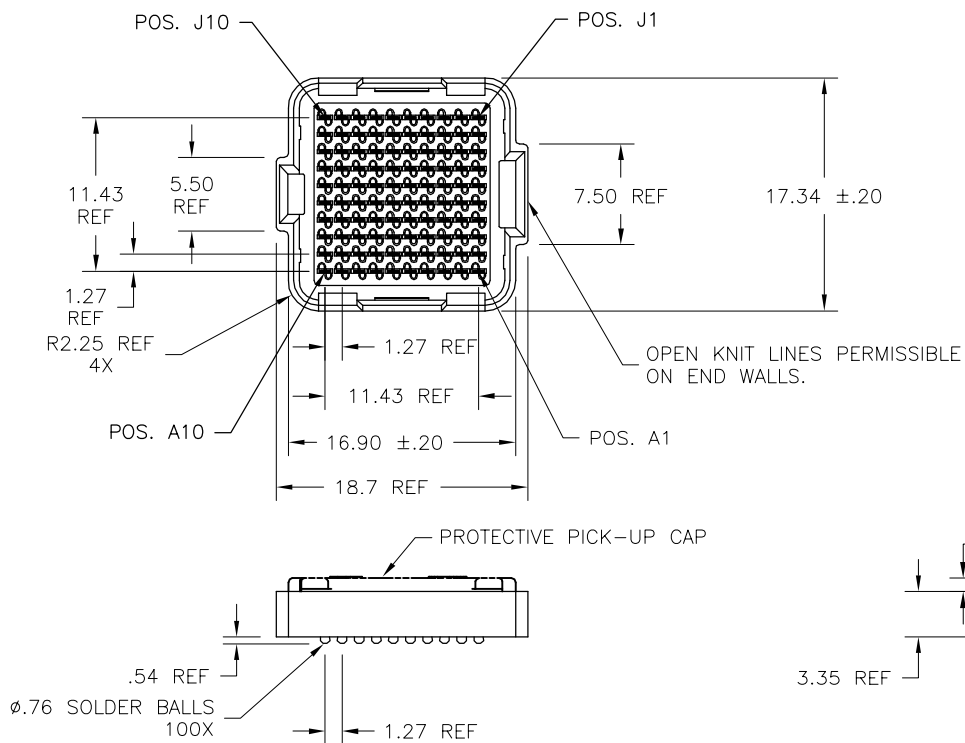
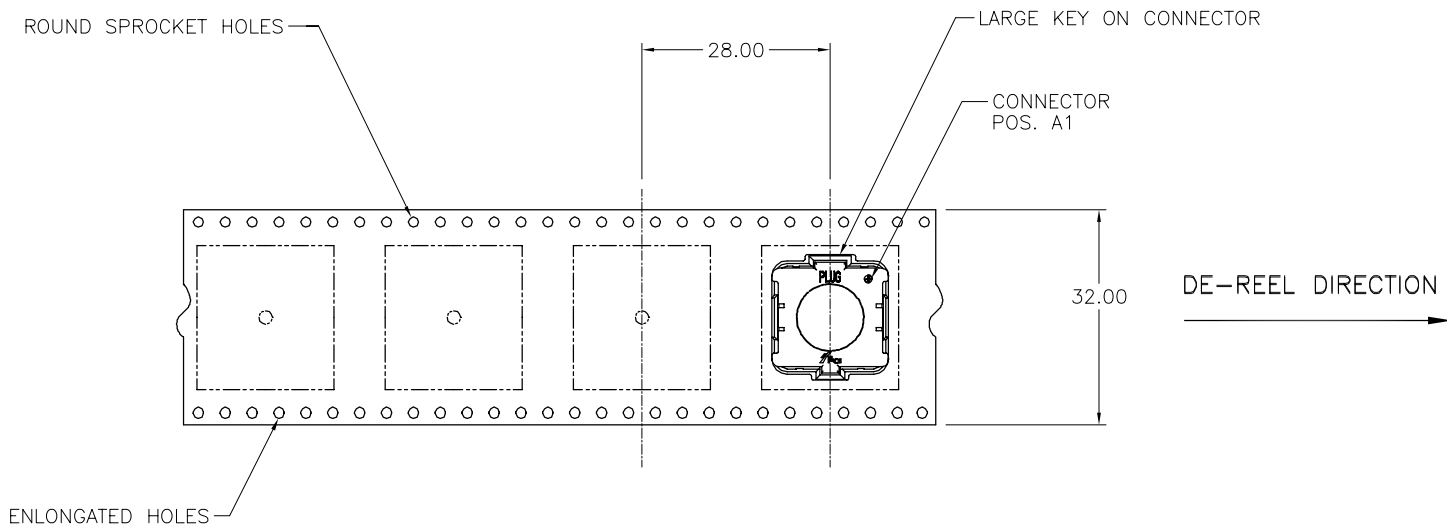


PRODUCT No.	PICK-UP CAP	CONTACT PLATING	SOLDER BALL
84512-002	YES	15u" (.38um) Au OVER Ni	SnPb
84512-002LF			SnAgCu LEAD FREE (4)(5)
84512-102	YES	30u" (.76um) Au OVER Ni	SnPb
84512-102LF			SnAgCu LEAD FREE (4)(5)
84512-202	YES	SEE NOTE 3.	SnPb
84512-202LF			SnAgCu LEAD FREE (4)(5)



mat'l. code		-		surface	ASME Y14.5 ✓	tolerance	ASME Y14.5	projection	product family	MEG-Array	
ltr	ecn no	dr	date	tolerances unless otherwise specified					title		
A	V10244	DRW	11/21/01	angles	linear	X *3			Omm PLUG ASSY.		
B	V20006	DRW	1/24/02			.XX ±10	10 X 10 = 100 POSITION				
C	V20949	DAI	8/15/02	0° ±2'		XXX ±050	scale	1:1	sheet 1 of 3 size		
D	V03-0680	DAI	06/19/03	dr	D.WAUGHEN	3-8-00			dwg no		
E	V04-0940	VS	10/18/04	engr	B.SPINK	3-8-00			84512		A4
F	V06-0560	LP	2006/07/14	chr	B.SPINK	3-8-00			type		CUSTOMER Drawing
G	V07-0663	LP	2007/10/29	appd	B.SPINK	3-8-00					
sheet	revision	G	G	G							
index	sheet	1	2	3							



mat'l. code		-		surface	ASME Y14.5	tolerance	ASME Y14.5	projection	product family	MEG-Array	
ltr	ecn no	dr	date	tolerances unless otherwise specified					title		
G				angles	X ±3	linear	MM		0mm PLUG ASSY.		
				0° ±2°	XX ±10		scale	1:1	10 X 10 = 100 POSITION		
				dr	D.WAUGHEN	3-8-00			dwg no		sheet 3 of 3 size
				engr	B.SPINK	3-8-00			84512		A4
				chr	B.SPINK	3-8-00			type		CUSTOMER Drawing
				appd	B.SPINK	3-8-00					
sheet index	revision sheet										